



HIGH CAPACITY PRODUCT LINE



Highest Quality, Best Service

Manufacturing chlorination equipment and related products since 1978



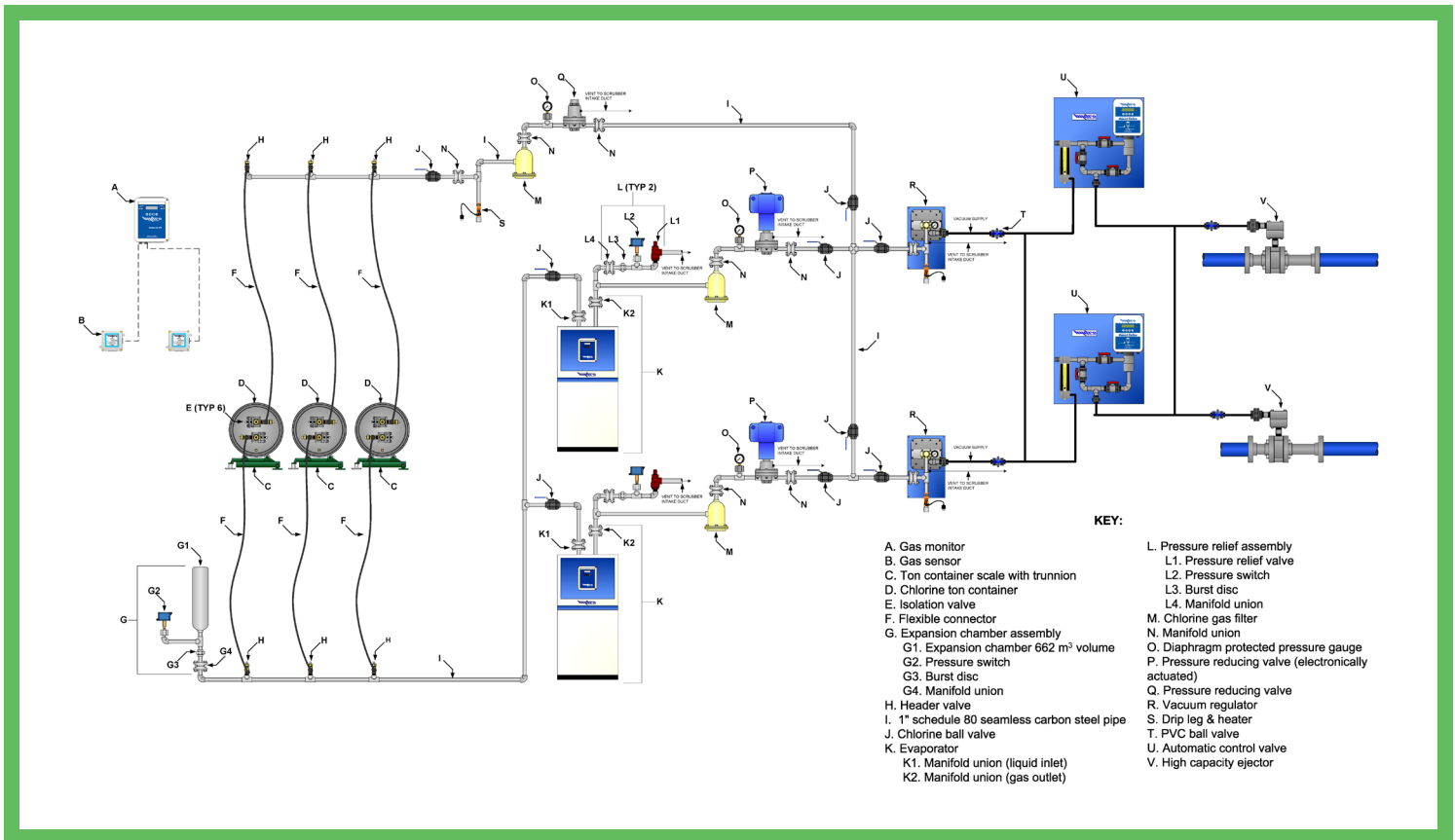
600 Emlen Way, Telford, PA 18969 • Telephone: (215) 799-0980
Fax: (215) 799-0984 • Toll Free in the U.S.: 1 (888) 38-HYDRO
sales@hydroinstruments.com
www.hydroinstruments.com



For over 35 years Hydro Instruments has been manufacturing the most reliable, longest lasting, and highest quality products in the chemical feed industry. Made in the USA and compliant with ISO-9001 quality standards you can be assured Hydro Instruments' products will perform even in the most demanding applications.

With product always in stock, and warranty coverage that is second to none you'll see why Hydro Instruments provides the best customer service experience possible.

Use the diagram below to view where and how Hydro Instruments' product offerings fit into any chemical feed system!



Vaporizer

Hydro Instruments offers one of the most advanced, reliable and efficient chlorine, sulfur dioxide, and ammonia vaporizers on the market.

Key Features:

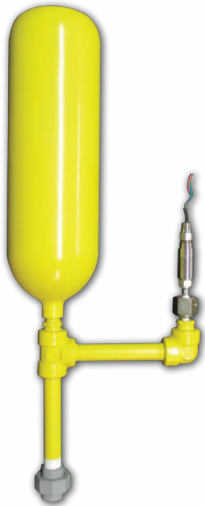
- Feed rates up to 10,000 PPD (200 kg/hr) Cl₂!
- ASME certification and Chlorine Institute conformance!
- All-electronic display with Modbus communication and five 4-20 mA outputs standard!
- User friendly display and installation!



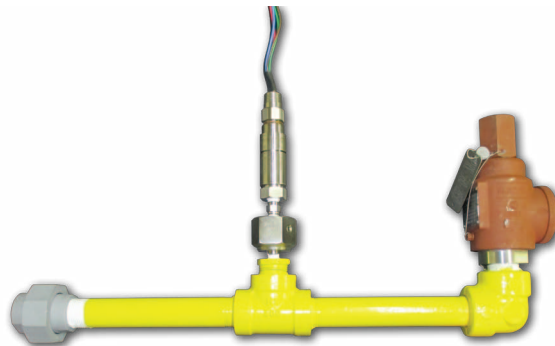
VPH-10000

Vaporizer Accessories

Hydro Instruments also offers standard vaporizer pressure protection equipment for both new and existing systems. Use expansion chamber assemblies for overpressure protection on liquid feed lines, and pressure relief valve assemblies for overpressure protection in the vaporizer/gas feed lines. Electronic pressure reducing valves provide shut-off capabilities in alarm conditions.



Expansion Chamber



Pressure Relief Valve Assembly



Electronic Pressure Reducing Valve

OV-1000 Automatic Control Valve

The industry leader in automated vacuum chemical feed technology!

Key Features:

- Feed rates from 0 – 10,000 PPD (200 kg/hr)
- 3600 step linear stepper motor for more precise and accurate control
- Modbus communication standard
- Three analog inputs and two analog outputs
- Compatible with a variety of chemicals (both liquid and gas)

Control Options:

- Manual
- Flow Proportional
- Residual Control
- Compound Loop
- Dual Input Feed Forward
- Dual Set Point
- Step Feed



OV-1000

Contact Hydro Instruments for a variety of custom wall mounting and floor cabinet mounting options!



Wall Panels



Floor Cabinets



**4-20 mA Output
Remote Meter**

Vacuum Regulators

Made from solid machined PVC and the highest quality parts available, Hydro Instruments has been manufacturing and supplying top quality high capacity vacuum regulators for over 35 years! Backed by a minimum 3-year product warranty with lifetime warranties on machined bodies.



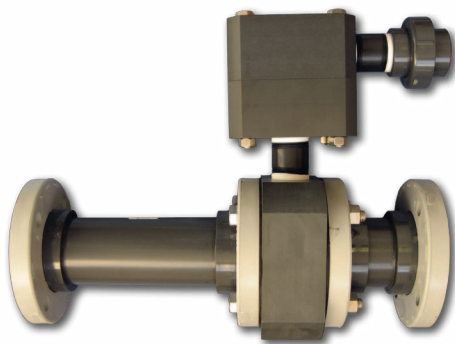
VRH-10000-CL2

Feed rates up to 10,000 PPD (200 kg/hr) Cl₂!

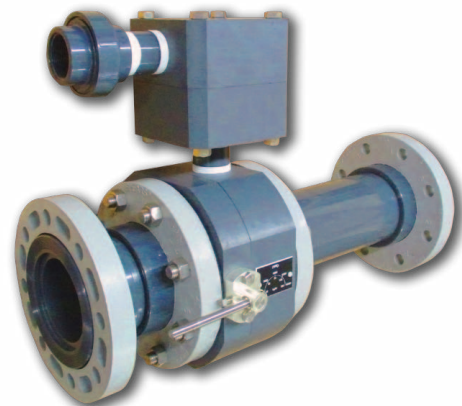
3-year product warranty!

Always in stock!

High Capacity Ejectors



EJH-3000
Fixed Orifice



EJH-4100
Variable Orifice

3" and 4" Van Stone style flanged ejectors

10,000 PPD (200 kg/hr) capacity

Fixed or variable orifice available

Always in stock!

Residual Chlorine Analyzers

Does not rely on sample and hold methods!

Simple calibration and maintenance!

Allows for rapid process control!

Analyzers and parts are stocked for immediate shipment!



Series RAH-210:

- Amperometric residual analyzer
- Available range: 0 –.1 to 0 – 20 PPM
- Free Chlorine, Total Chlorine, Chlorine Dioxide, Bromine, and Iodine
- Continuous sensor cleaning mechanism
- Electrodes in direct contact with the sample water
- Available with a gravity driven reagent feeder, reagent metering pump, or with pH probe for automatic compensation



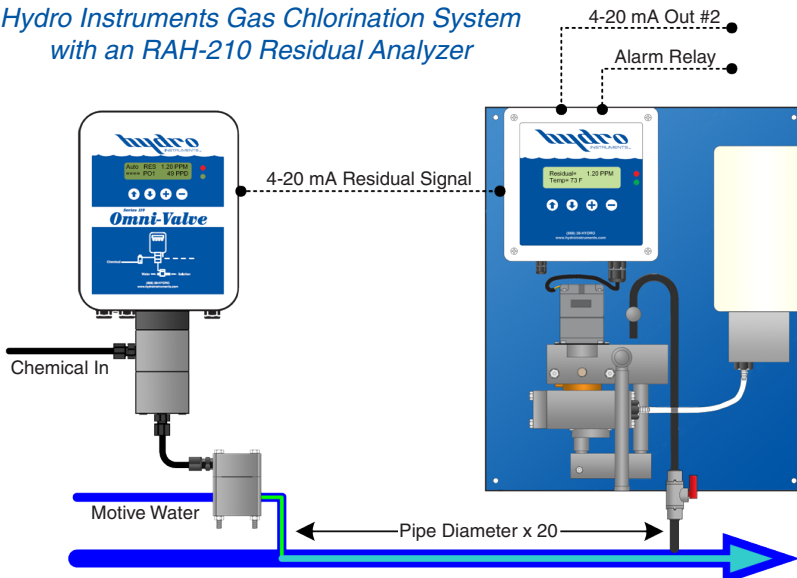
PRV and Pressure Gauge for a Hydro Instruments Residual Analyzer

Series RPH-250:

- Amperometric Probe-Style Analyzer for Free Chlorine, Total Chlorine, or Chlorine Dioxide
- Transparent Inlet & Probe Flow Cells
- Available range: up to 200 ppm Free Chlorine
up to 20 ppm Total Chlorine
- pH probe can be included for independent monitoring or for automatic compensation when measuring free chlorine
- PRV, Pressure Gauge, Sample Control Valve & Meter Tube Provided (Standard)



Hydro Instruments Gas Chlorination System with an RAH-210 Residual Analyzer



Standard Features On Both Models Include:

- Automatic pH compensation software
- Continuous measurement and rapid response
- Continuous temperature monitoring and compensation
- 2 selectable analog outputs (Residual, pH, Temperature or Control)
- Alarm relay
- Complete PID control program
- Adjustable measurement range
- 2 line x 20 character LCD display

Gas Detectors

Hydro Instruments manufactures two gas alarm detectors, the **GA-170** and the **GA-171**. Both detectors provide reliable and simple solutions for gas detection applications. Both incorporate a basic modular design that can integrate a variety of gas sensor types and feature a user-friendly key pad interface for easy calibration and operation.

GA-170:

- Up to four individual gas sensors per monitor
- Available with 4-20 mA outputs for remote monitoring
- 6 alarm relays
- Backlit liquid crystal display (LCD) for easy reading
- Built-in 90 dB audible horn
- Optional battery back-up
- RS-232 communication



GA-170



GA-171

GA-171:

- Up to two sensors per alarm module
- 1 Alarm relay
- Backlit liquid crystal display (LCD) for easy reading, 2 line/20 spaces
- RS-232 communication

Accessories



Gas Filters



IV-830 Isolation Valve Assemblies



Strip Heater

Hydro Instruments offers a complete line of chemical feed accessories to complement any installation!



IVH-100-500 Isolation Valve Assemblies



Flexible Connectors



Electronic Ball Valve

Also Ask About:

- Pressure Manifolds
- Automatic and Electronic Switchover Systems
- Pressure Gauges
- Check Valves
- Open Channel Diffusers
- Manual Ball Valves



Represented By:



600 Emlen Way, Telford, PA 18969 • Telephone: (215) 799-0980
Fax: (215) 799-0984 • Toll Free in the U.S.: 1 (888) 38-HYDRO
sales@hydroinstruments.com
www.hydroinstruments.com