

Metallic engine

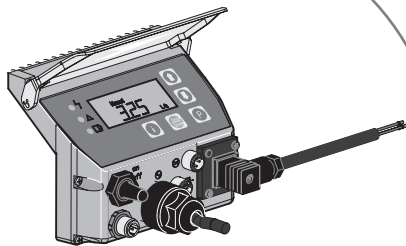
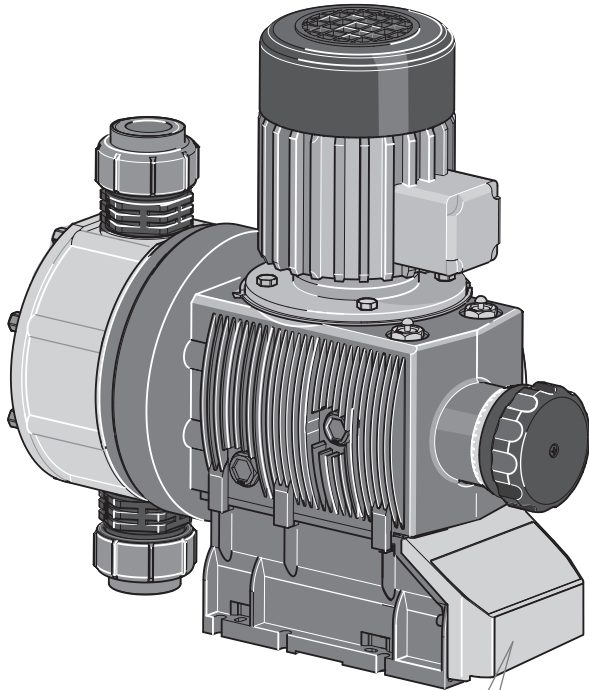
Chemical resistant

Diaphragm regulation

Flow up 1150 l/h

Pressure up 10 bar

Optional multi-functions



Control Module Type- Optional

Colberge SGC

The motor-driven, metering pumps with mechanically actuated diaphragm SG series was designed in single or three phase versions. High resistances in aggressive medium, with housing build in PPE and PTFE surface diaphragm. Corrosion resistant metal and plastic housing is rated IP65.

The continuous course regulation of the diaphragm in 1% steps is made by a eccentric principle variable system to provide continuous liquid and component motion to minimise the hydraulic and mechanical shocks.

The accuracy of the pump is $\pm 2\%$ in the stroke length range of 30-100% providing a correct instalation. The maximum suction lift is 5 meters of water.

Serie SGC has volumes from 52 up to 360 l/h and pressures up to 10 bar with liquid-end available in PVDF or 316 SS.

Control Module Type - Optional

The control model of SGC pump provide a combination of variable AC frequency, combined with digital stroking control.

The functions are simply ajusted by using a five key program.

A LCD display and a three front leds confirm, in an intuitive way the proper pump functioning with an alarm situation or any breakdown.

Standard Features

- External Pulses Control;
- Remote On/Off;
- Connection to Low Level Switch;
- Connections to Flow Control.

Optional Features

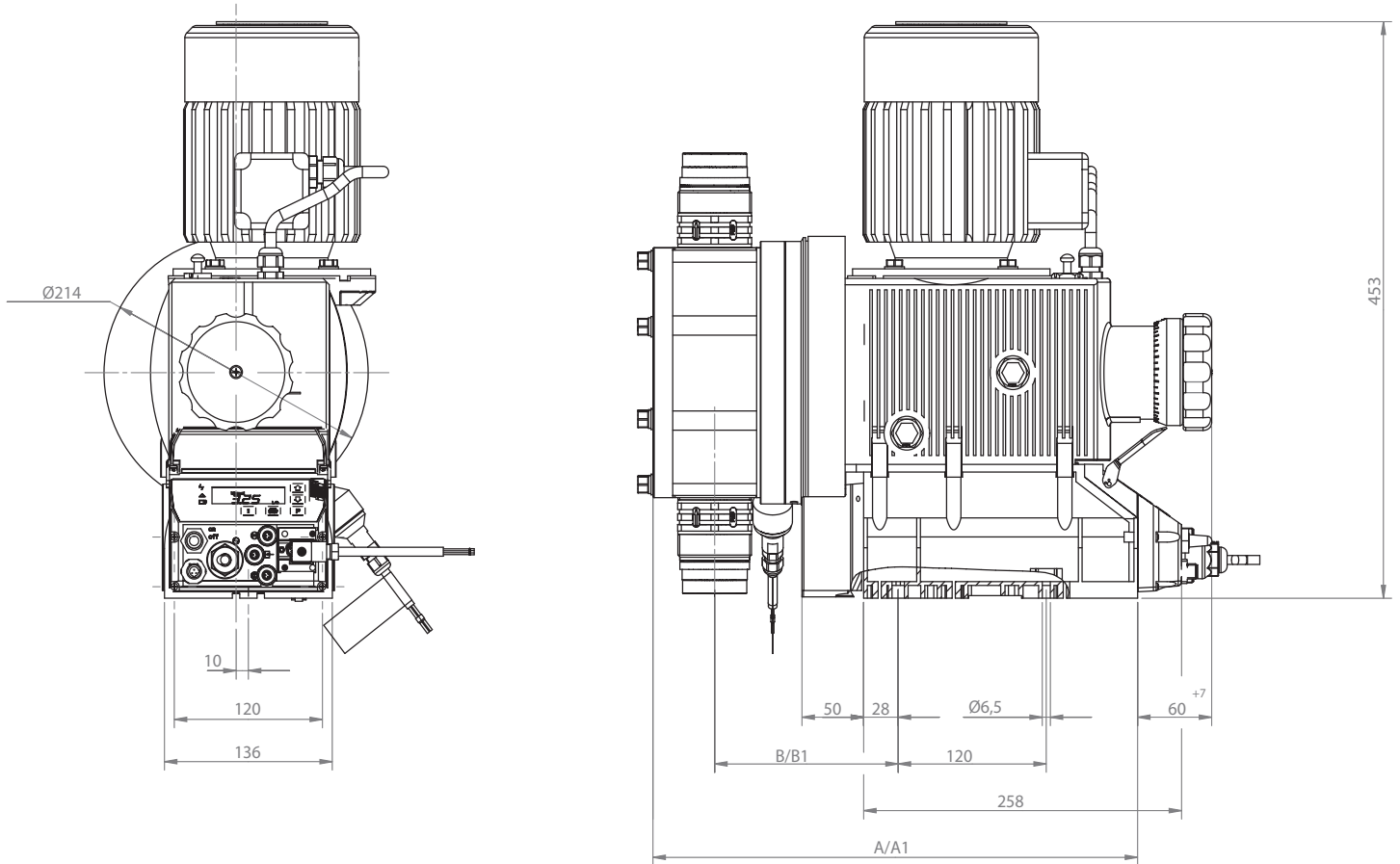
- Alarm Relay NO;
- Alarm Relay NC;
- Control Current Input (4-20 mA).

Optional accessories

- Foot Valves;
- Injection Valves;
- Back pressure Valves;
- Multifuntion Valve;
- Suction Lances;
- Relief Valves;
- Flushing Assembly;
- Wall Mounting Bracket
- Pulsation Dampeners;
- Float Switch*;
- Flow Control*.

* Only for Control Module Type

Views / Dimensions



SGC Series

Model	Pressure	Flow*	Freq.*	Vol.Str.	Connect.	Power	Current	Liquid end			Dimensions (PVDF / AISI 316)			
	bar	l/h	stroke/min	ml	G-DN	kW	Δ / Δ	PVDF	AISI 316	H.V.	A	A1	B	B1
SGC-160	10	157	72	31,5	1 1/2"	0,37	1,30 / 2,30 A	662x	664x	665x	353/343	373/363	120/121	140/141
SGC-220	10	205	103	31,5	1 1/2"	0,37	1,30 / 2,30 A	662x	664x	665x	353/343	373/363	120/121	140/141
SGC-330	10	300	144	31,5	1 1/2"	0,37	1,30 / 2,30 A	662x	664x	665x	353/343	373/363	120/121	140/141
SGC-400	10	364	180	31,5	1 1/2"	0,37	1,30 / 2,30 A	662x	664x	---	353/343	373/363	120/121	140/141
SGC-450	7	460	72	95,1	2"	0,37	1,30 / 2,30 A	272x	274x	275x	373/357	393/377	127/127	147/147
SGC-600	7	600	103	95,1	2"	0,37	1,30 / 2,30 A	272x	274x	275x	373/357	393/377	127/127	147/147
SGC-900	4	880	144	95,1	2"	0,37	1,30 / 2,30 A	272x	274x	275x	373/357	393/377	127/127	147/147
SGC-1100	4	1090	180	95,1	2"	0,37	1,30 / 2,30 A	272x	274x	---	373/357	393/377	127/127	147/147

X = M - Single phase, T - Three phase, C - Single phase with strokes, C+An - Single phase with strokes + 4-20 mA.
* In the control module with an additional yield of 20%.