

Hand Mixers

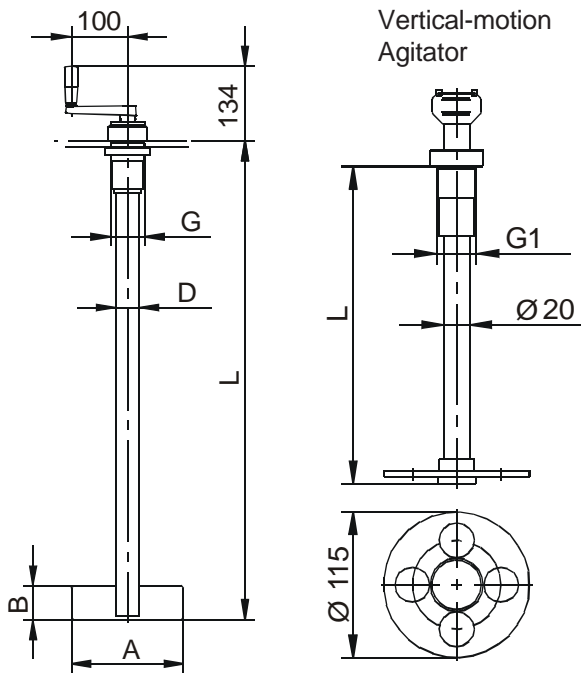
General

Hand mixers in the form of hand stirrers or vertical-motion agitators are used in metering technology to mix a metering solution quickly and smoothly in the chemical supply tank.

Whether a hand stirrer or agitator is selected depends on which form of operation is preferred. A vertical-motion agitator permits higher manual energy input, while hand stirrer is adequate if the substances to be mixed are soluble.

For mixing non-soluble suspensions or emulsions the use of an electric mixer is recommended.

Hand Stirrer



PE-tank Capacity	Mixer-length	Part No.		Dimensions			
		Agitator	Stirrer	G	D	A	B
45	250	13623573	-				
60	450	13623574	-				
100	600	13623575	13628229	G1 1/2	32	160	50
200	710	13623575	13628234	G1 1/2	32	160	50
300	850	13623334	13628237	M60x2	40	200	60
500	950	13623577	13628273	M60x2	40	200	60
1000	1200	13623578	13610258	M60x2	40	250	60

Middle East Office:
 Works Q3-085, P.O Box 8872
 SAIF Zone - Sharjah - U.A.E.
 Ph : +971 6 5529840
 Fax : +971 6 5529841
 Mail : Info@waterengrs.com
 Web : www.waterengrs.com

Bankers:
 RAK BANK
 Sharjah

SUSTAINABLE WATER SOLUTIONS