

Agitation
deposits

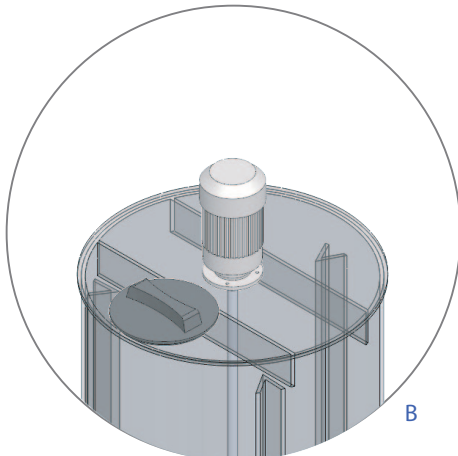
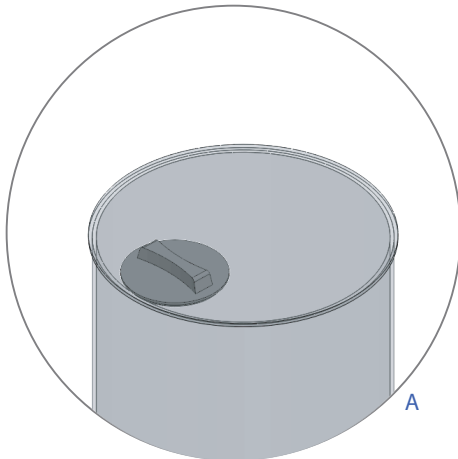
Chemical
resistance

HDPE
plate

Volume
up
5 m³

Storage

Preparation



Colberge DPC

The deposits Colberge DPC series, built in high-density polyethylene plate, through a winding process, designed to meet all requirements for preparation, storage and dosage of reagents for water treatment plants, including processes of oxidation, neutralization and flocculation of effluent.

The tanks are designed for chemical products with densities below 1,55 g/cm³ (except sulfuric acid and hypochlorite) and in case of bear shaker, the top is reinforced and placed 3 anti-rotation baffles at a distance equidistant of 120°.

Available in a range that covers from small units for use in private swimming pools and chemical treatments, to volumes that meet the needs of ETAs and ETARs public and industry.

Technical features

- Great chemical and mechanical resistance;
- Side flaps anti-vortex;
- Central strengthening for agitators assembly;
- Outlets for the sewer;
- There are 2 versions available:

A version

Storage deposit.

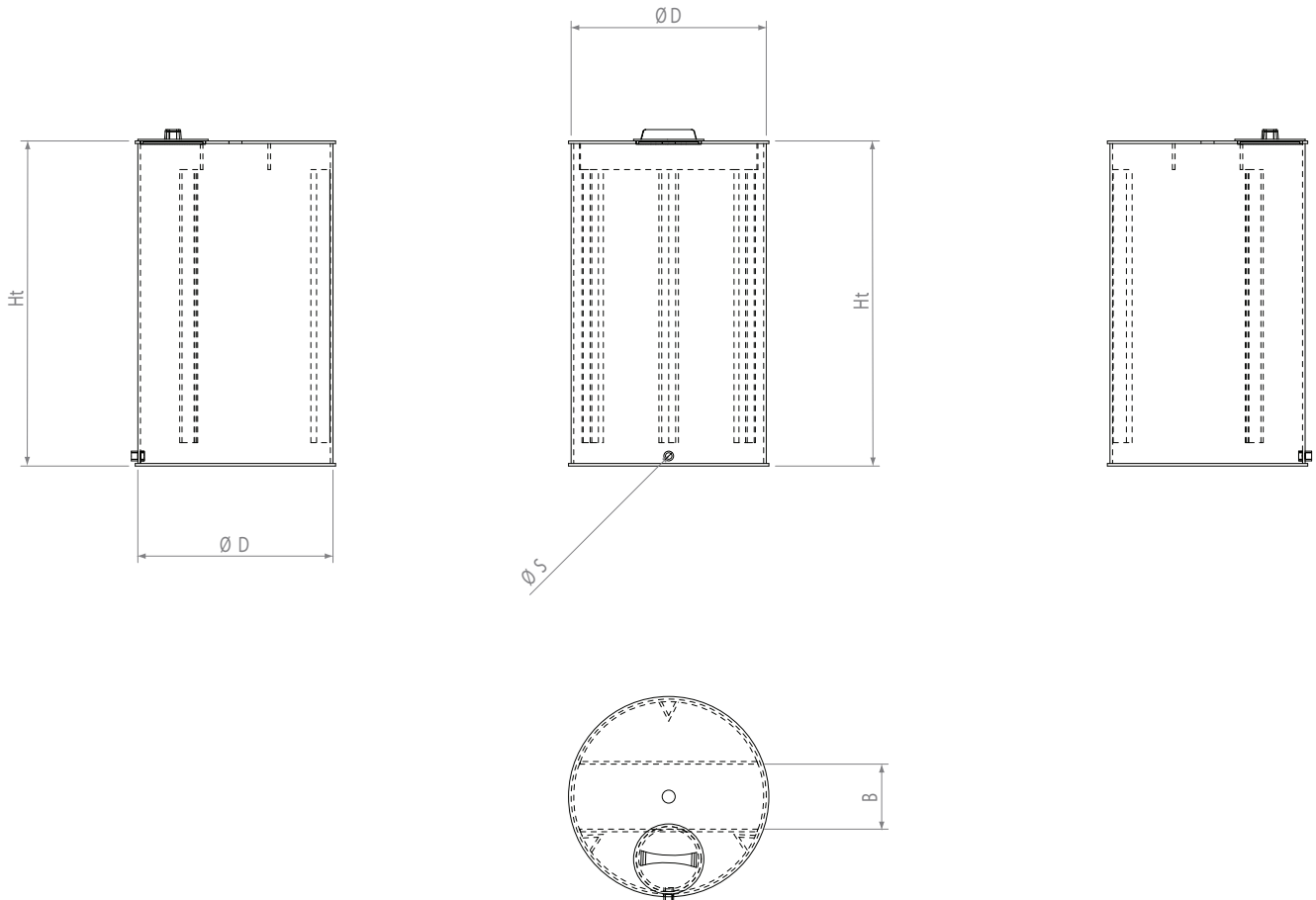
B version

Filing the application of shaker with enhanced central and side flaps.

Options

- Interior gutter for installing internal levels;
- Inclined or conical bottom;
- Closed with half moon covers;
- Other outlets on request;
- Bund.

Views / Dimensions



DPC Series	Model	Volume	Height	Diameter	Ø S	Ø B
		liters	(Ht) mm	(D) mm	mm	mm
	DPC0300	300	1000	670	½"	200
	DPC0600	600	1200	835	¾"	200
	DPC1000	1000	1500	965	1"	200
	DPC1500	1500	1500	1190	1 ¼"	200
	DPC2000	2000	1600	1320	1 ¼"	250
	DPC2500	2500	2000	1320	DN 50	250
	DPC3000	3000	2000	1460	DN 50	250
	DPC4000	4000	2000	1665	DN 50	250
	DPC5000	5000	2000	1855	DN 65	250

Dts DPC-Gb DC12072013